



## INSTALLATION

GVM1

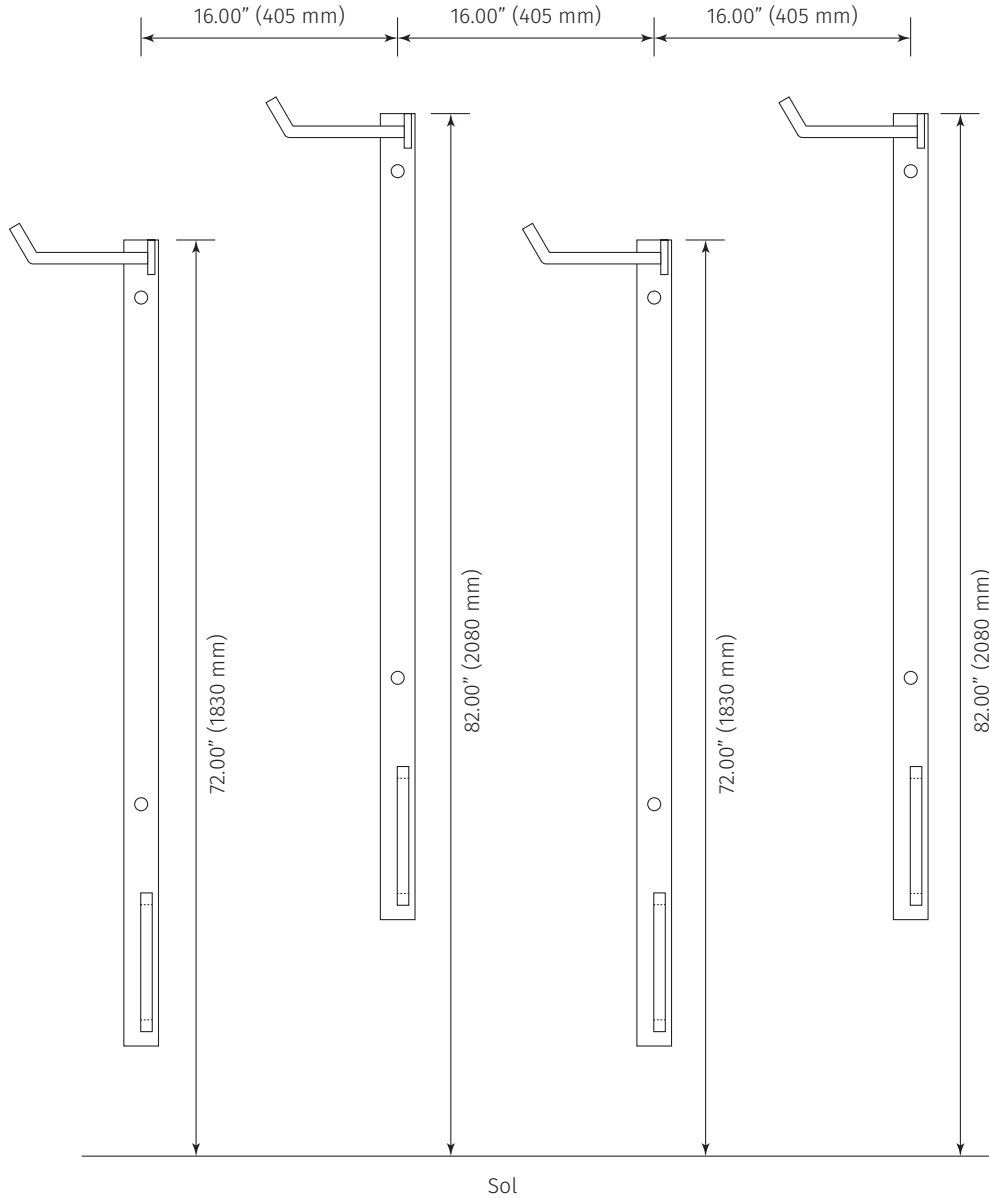
Projet: \_\_\_\_\_

Localisation: \_\_\_\_\_

Quantité: \_\_\_\_\_

Livraison: \_\_\_\_\_

Installation: \_\_\_\_\_



## INSTALLATION RECOMMANDÉE